

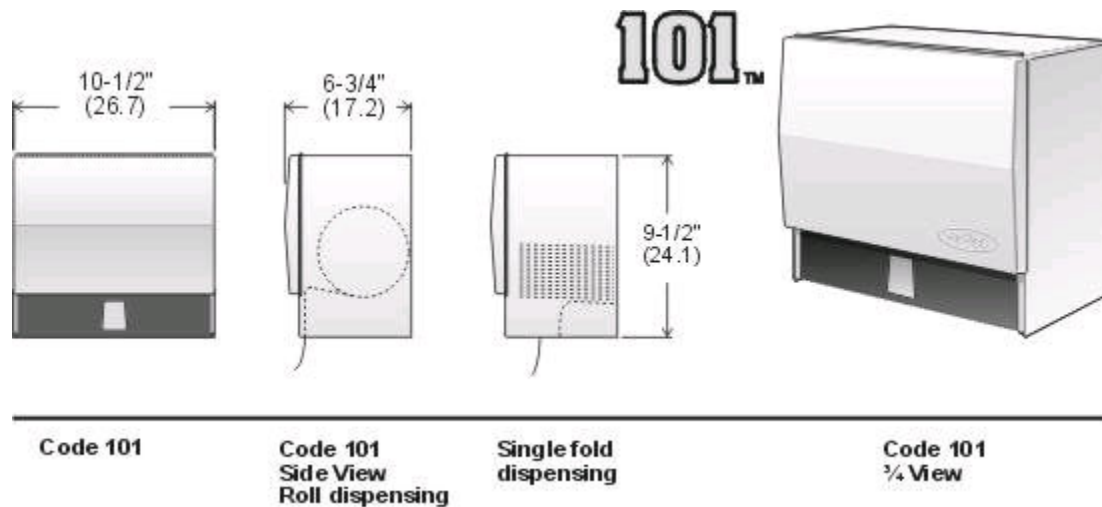


- Quality
- Value
- Service

**Tech
Reference**

Universal Towel Dispenser

Code 103: Stainless steel type 304 No. 4 brushed finish



Specifications:

Site Location: The 101 series of dispensers are an industry standard and can be used in any room or site location.

Dispensing: Universal towel dispenser will accept all standard single fold and roll towels (max. 6" diameter and up to 10" long). Available with keyed tumbler lock to reduce pilferage and vandalism.

Features: Front loading for easy service and maintenance. All welded construction of 20 and 22 gauge steel. Full length piano hinge on door.

SS features: Drawn stainless steel door. All welded stainless steel (304, No. 4 brushed) construction. All doors are hinged with full length stainless steel piano hinges. Product shipped with protective plastic coating to be removed after installation.

Shipping Weight: 2.5 kg. (5-1/2 lbs.)

Installation: For unrestricted access, bottom of unit to floor must not exceed 44" (111.7).