

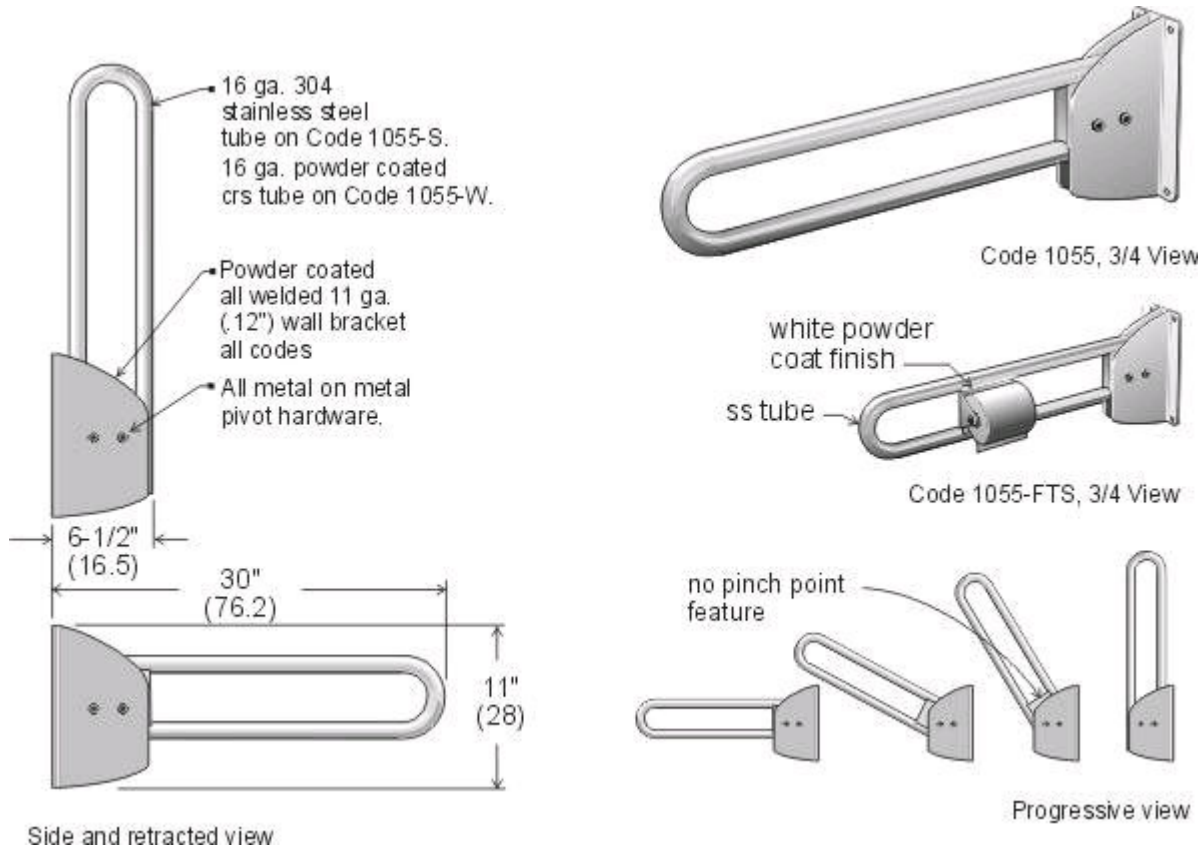


- Quality
- Value
- Service

**Tech  
Reference**

## Flip up / Swing up Safety Rail

- Code 1055-W:** Safety rail, white finish  
**Code 1055-S:** Safety rail, stainless steel, polished satin finish  
**Code 1055-FTS:** Safety rail with removable toilet paper dispenser, white finish



### Specifications:

**Site Location:** These units are highly recommended by barrier-free design experts because they provide the optimum approach path for wheelchair use. Consult applicable codes for specific requirements.

**Features:** Tubing is either 16 gauge type 304 1-1/4" O.D. (outside diameter) stainless steel with exposed surfaces in polished satin finish or 16 gauge steel with white finish. Swing up bar is only as strong as the wall and anchors to which it is attached. Grab bar must be securely fastened to wall to withstand the load it is intended to support. Mandrel bending process on all curves maintains uniform bar diameter. Grab bar is manually lowered to horizontal support position and raised for departure. A locking system enables the flip up grab bar to be locked in either a horizontal or retracted position

**Installation:** Secure to wall where adequate in wall backing exists. Use wall plate as a template to locate mounting holes. Drill holes and set anchors as appropriate. Mount grab bar and secure mounting screws. We suggest installation by a qualified tradesman.