



AMERICAN SPECIALTIES, INC.

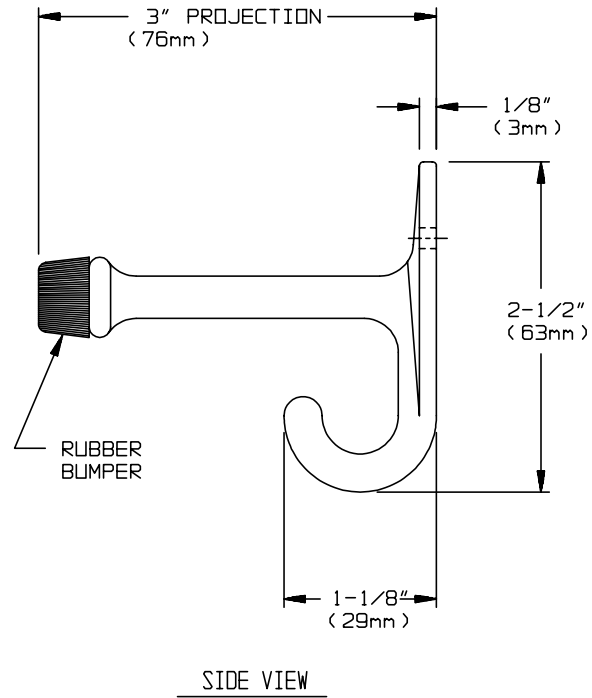
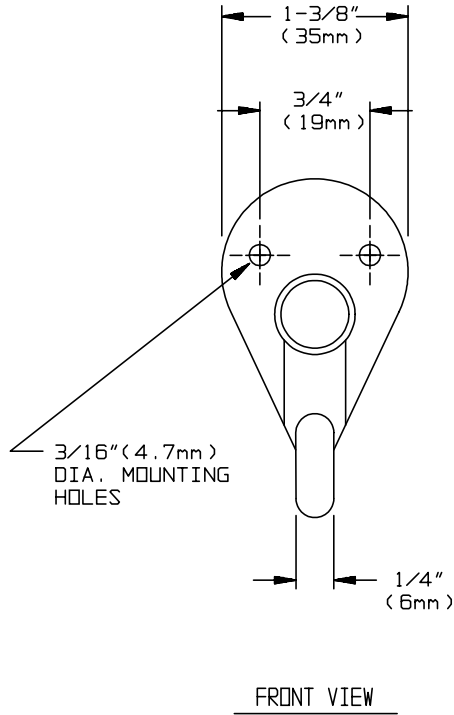
441 Saw Mill River Road, Yonkers, NY 10701 (914) 476-9000

MODEL No: 0714

ISSUED: 1-87

REVISED: 9-04

SURFACE MOUNTED COAT HOOK AND BUMPER



SPECIFICATION

Surface Mounted Coat Hook and Bumper shall be fabricated of chrome plated brass with a black neoprene bumper to protect wall and or partition surfaces. Two (2) mounting holes capable of accommodating N^o10 screws shall be provided for anchoring unit to wall.

Surface Mounted Coat Hook and Bumper shall be Model N^o 0714 as manufactured by American Specialties, Inc. 441 Saw Mill River Road Yonkers, New York 10701-4913.

INSTALLATION

Bumper is surface mounted to wall or partition using N^o10 self tapping screws (by others).