

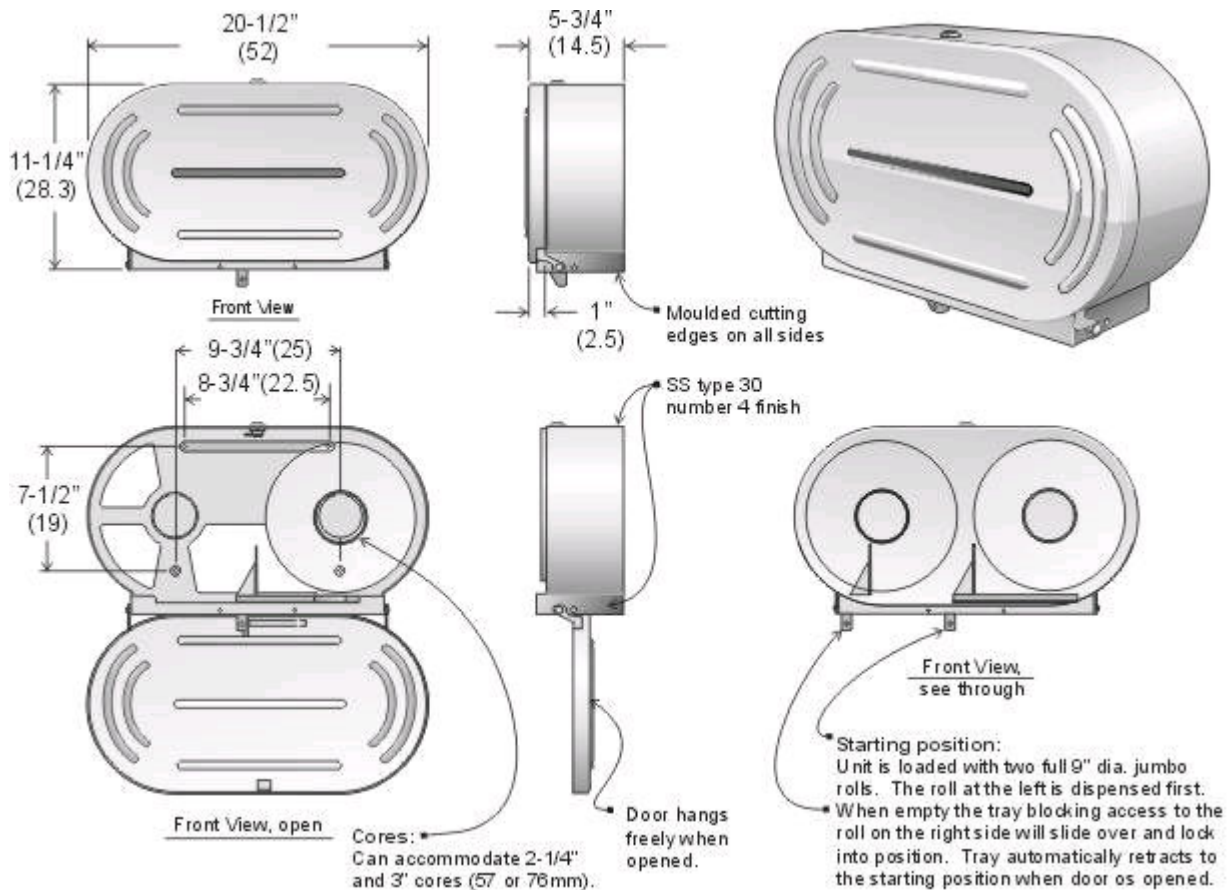


- Quality
- Value
- Service

**Tech
Reference**

Jumbo Toilet Tissue Dispenser, Two Rolls

Code 169: Twin Jumbo Toilet Tissue Dispenser, stainless steel, 304 no. 4 finish.



Specifications:

Site location: Ideal for high traffic areas requiring the durability of an all metal exterior.

Dispensing: Holds two 9" (230mm) jumbo toilet tissue rolls. Moulded spindles can accommodate 2-1/4" or 3" (57 or 76mm) diameter cores. Spring loaded access tray will lock into position only when first roll on left side is depleted. When door is opened, access tray will return to original position. The custodian can then place the stub roll on the left side (default open position) and a full 9" roll in the blocked right side of the unit.

Materials: Door is drawn 18 ga. ss type 304 with brushed finish. Single viewing slot reveals tissue. Equipped with tumbler lock.

Installation: Recommended mounting height: Insure the top of unit does not exceed 31" (785) from height of floor.