

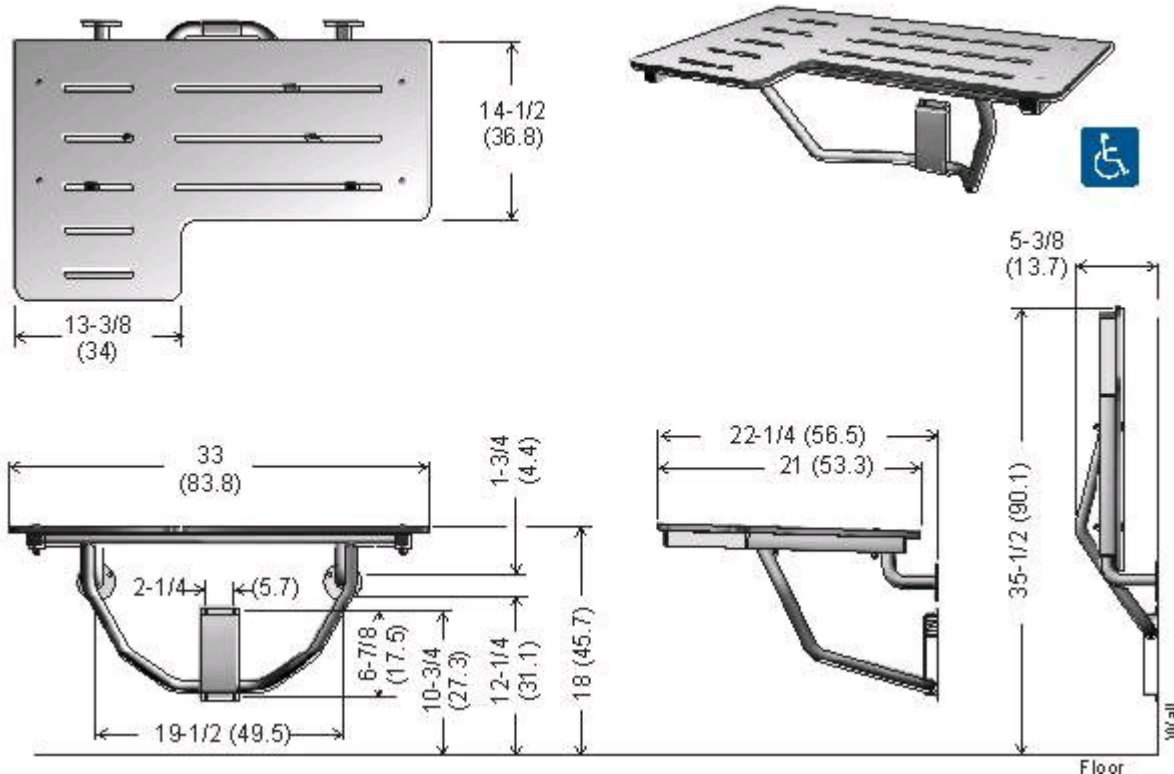


- Quality
- Value
- Service

**Tech
Reference**

Retractable shower seat, Handicap

Code 975: All stainless full wall mounted shower seat, phenolic top, white finish.



Specifications:

Site Location: Barrier free design, comes in left or right configuration, right shown.

Features: Compact flip up shower seat retracts out of way when not in use. One piece phenolic top, 1/2" (13mm) thick. Unit frame is fabricated from 1" O.D. 18 gauge brushed finish type 304 stainless steel. Welded construction, features full 360 degree welds on all joints. Support and flanges are also stainless steel with brushed finish.

Installation: Mounting hole locations are for reference when providing in wall support. Final holes should be drilled using shower seat as a template. Mounting screws provided.

Description and specifications applicable on date issued. Frost reserves the right to make improvements or changes without notice.