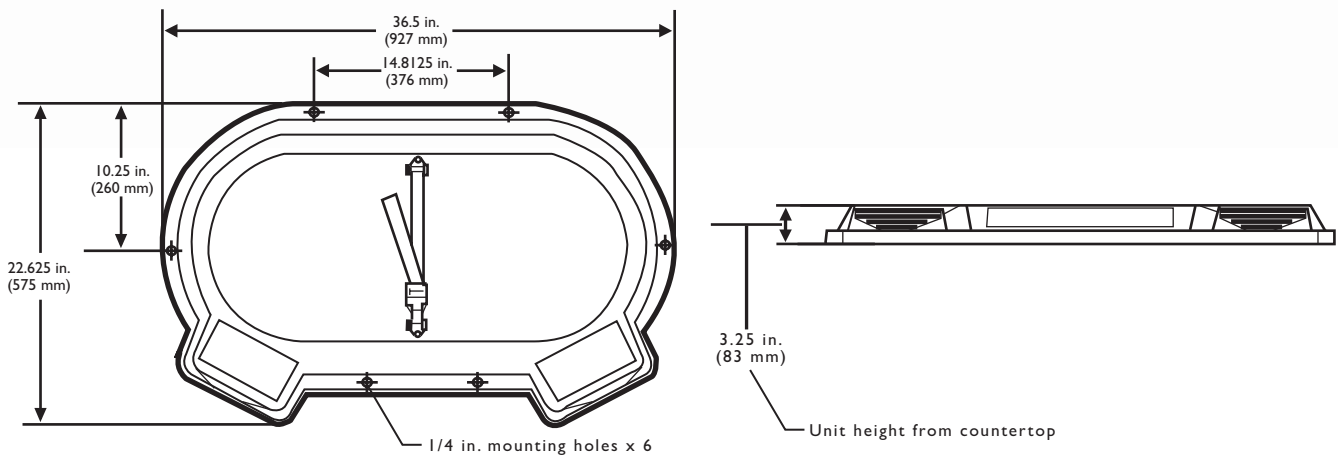




6982 S Quentin St  
Centennial, CO 80112  
Toll free: 1-888-733-3456  
Main 303-539-8300  
Fax: 303-539-8399  
www.koalabear.com

## COUNTERTOP SURFACE MOUNT BABY CHANGING STATION

# KB112-01CT



### ADA Compliance

- (when properly installed)
- 4.4.1 Max. Protruding Objects
- 4.2.5 Forward Reach
- 4.2.6 Side Reach
- 4.2.7.4 Operation

Continued...

**MATERIALS:**

FDA approved thermoformed high-density polyethylene. Mounting instructions and hardware included. Graphics and safety messages in six languages. Contoured changing surface area is 379.04 Sq In (244,541.45 Sq mm) comes complete with nylon safety straps.

**OPERATION:**

For use in restrooms where counter space is more abundant than wall space. High-density polyethylene has no sharp corners, is easy to clean and resists odors and bacterial growth.

**Warning:** *To insure that the unit supports the intended loads, baby changing stations must be properly installed according to the manufacturer's instructions*

**INSTALLATION:**

To insure proper installation and compliance with building codes, it is recommended that a qualified person or carpenter perform the installation of the unit.

***Drilling holes and mounting the station:***

1. Remove the station from the shipping container and check for any freight damage. Identify the best location for installing the baby changing station.
2. Place the changing station onto the counter top in the desired position. Using the unit's center mounting holes as a guide, mark the screw hole locations onto the counter top and drill 1/4" diameter by 1-1/2" deep holes into the counter top.
3. Apply a suitable water sealant, such as silicone, around the bottom edge of the changing station, then set unit onto the countertop using the mounting holes as a guide. Fasten unit to counter top with supplied screws.

**Caution:**

Drill carefully through ceramic tile and other hard counter top materials.

**SPECIFICATION:**

Baby changing station shall be durable, high impact polyethylene body. Design of unit shall be counter recessed mounted. Bed shall have smooth concave changing area with a nylon safety strap and universal instruction graphics. The unit shall be backed by a 5-year manufacturers limited warranty. Unit shall be manufactured in the U.S.A.

**Baby Changing Station shall be model KB112-01CT of Koala Kare Products, A Division of Bobrick  
6982 S Quentin St Centennial, CO 80112 USA, Tel: 1-888-733-3456 or 303-539-8300 Web: [www.koalabear.com](http://www.koalabear.com).**