



# Specification Information

**Product Code:** 1150

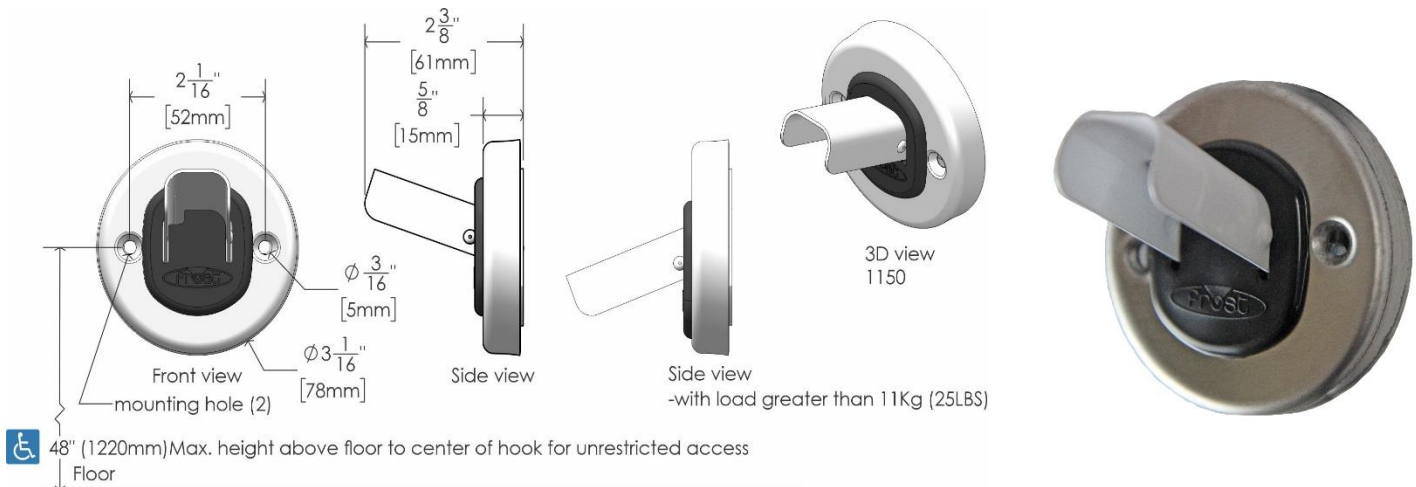
**Product Name:** Steel Safety Coat Hook

**Individual Carton UPC:** 624622115007

**Individual Carton Shipping Dimensions:** 7.6cm W x 7.6cm H x 7.6cm D (3" W x 3" H x 3" D)

**Individual Carton Shipping Weight:** 0.22kg (0.5 lbs)

**Site Location:** Frost's 1150 surface mounted collapsible safety coat hooks are designed for use in facilities where safety or vandalism is a concern. Typically, these coat hooks are used in schools/universities, recreation centres, hospitals, fitness facilities, and prisons/detention centers. This product offers a durable, professional, and safe method of storing personal items.



## Features:

- Spring loaded and supports up to 11kg (25lbs) before collapsing
- Easy to install and maintain
- Made from 18 gauge steel and stainless steel
- Smooth burr-free edges
- Supports the weight of coats and light bags, heavy objects will slide off
- Provides clean and professional appearance

## Capacity:

- Designed to hold 11kg or 25lbs before the hook will collapse.

## Materials:

- Body: 18 gauge stainless steel, type 304 brushed finish
- Hook: 18 gauge steel, white powder coat finish

## Product Dimensions:

- 7.6cm W x 7.6cm H x 6.1cm D (3" W x 3" H x 2.4" D)

## Product Weight:

- 0.2 kg (0.4 lbs)

Frost Products Ltd

5276 John Lucas Drive  
Burlington, ON, Canada, L7L5Z9

(905) 332-5700  
1-800 667-5094

info@frostproductsltd.com  
www.Frostproductsltd.com



## *Specification Information*

**Installation Guidelines:** Mark holes in the back of the unit against the wall in the desired location with a pencil. Secure to any panel with stainless steel mounting screws provided. Screws are counter sunk stainless steel with Phillips style finished head. For unrestricted access, centre of unit to floor should not exceed 48" (120). Mounting screws provided.

**Maintenance:** Normal preventative maintenance and cleaning will keep Frost products functioning properly and may extend normal product life. Products should be wiped down with a damp soft cloth periodically. Approved stainless steel cleaner may be used to clean scuffs or fingerprints on stainless surfaces. Do not use harsh detergents or chemical cleaners. For stainless steel please do not spray with any product containing bleach, acids, or chlorides, which can be found in many cleaning products such as toilet bowl cleaners. Use of these cleaning solutions may cause discolouration and if used for prolonged periods of time they can eat away at points in the stainless steel. If discolouration occurs, the use of an approved stainless steel cleaner and a firmer scrub pad, such as a Scotch Brite Pad #7447, may remove the markings. Wipe away any debris from the area and gently rub with the pad. Then spray the area with a stainless steel cleaner/polish and rinse and dry. Always wipe with the grain direction for stainless steel products. If a cleaning agent has begun to eat away at the steel on a unit then the unit will likely need to be replaced. The stainless steel that Frost Products uses is of high quality and stainless steel is resistant to rust. However, discolouration that appears to be rust can be caused by cleaning solutions. It is important to discontinue use of any cleaning agent or soap if discolouration begins to occur. Clean off the discolouration as quickly as possible to avoid any permanent damage to the unit. Maintenance staff should be taught how to recognize the signs that they are not using the appropriate cleaning products and how to correctly maintain stainless steel items.

**Warranty:** If any product or part proves to be defective within 12 months from date of shipment from the factory it will be repaired or replaced without any charge including freight costs when authorized. Costs resulting from the installation or removal of defective products are not covered under this warranty. Discolouration to stainless steel parts resulting from exposure to harsh environmental and / or chemicals are not considered to be defects in workmanship or material and are not covered under warranty.